

# BUSTER Dog Collar for Brachycephalic Breeds

Our range of BUSTER Collars has been extended with the new BUSTER collar for brachycephalic breeds. Finally, you can get a suitable collar for the brachycephalic dogs without having to adjust and cut the collar.

- Quick fastening system
- Full body coverage
- Multiple adjustment points for proper fit

Recommended use for BUSTER dog collar for brachycephalic breeds:

- Postoperative care
- Wound care
- Spay/neuter recovery
- Hot spots and other skin ailments
- Skin diseases

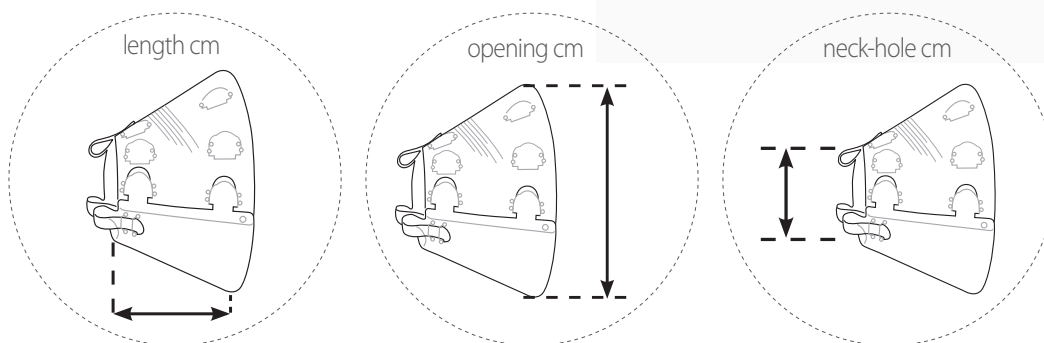
The BUSTER dog collar for brachycephalic breeds is transparent and has the quick and simple "Clic" closing system which is well-known from the BUSTER Clic Collars.

The collars are made of 100% polypropylene.



Cat. No	Size	Pk. Size	Suitable for	Kg
273500	XS	10/pk	Pekingese, Japanese Chin, Brussels griffon, Chihuahua	2-6 kg
273501	S	10/pk	Pug, Boston terrier, Cavalier King Charles spaniel, Shih Tzu	6 – 9 kg
273502	M	10/pk	French Bulldog, Lhasa Apso	9 – 16 kg
273503	L	10/pk	English Bulldog, American bulldog, Boxer, Bullmastiff	18 - 25 kg

273504 Collar for Brachycephalic Breeds Starter Set, 2 x XS + 3 x S + + 3 x M + 2 x L



Size	Neck-hole cm	Neck-hole inches	Opening cm	Opening inches	Length cm	Length inches
XS	8-9 cm	3.1 – 3.5"	17-20 cm	6.6 - 7.8"	10 cm	3.9"
S	9.5 – 10.5 cm	3.7 - 4.1"	23-25 cm	9.0 - 9.8"	12 cm	4.7"
M	12 – 14 cm	4.7 - 5.5"	30-33 cm	11.8 - 12.9"	16 cm	6.2"
L	14 – 17 cm	5.5 - 6.6"	36-40 cm	14.1 - 15.7"	20 cm	7.8"